

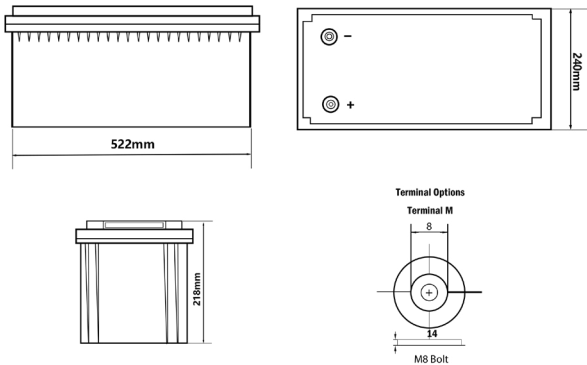


VLFP100-25.6 25.6V100AH

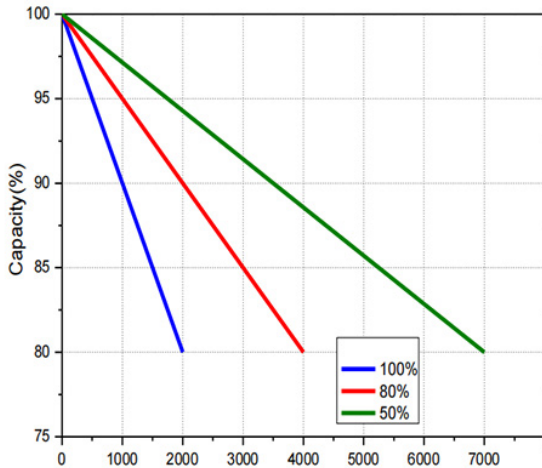
■ Specifications



■ Physical Dimensions



■ Discharge Characteristics



Electrical Characteristics	Nominal Voltage	25.6V
	Rated Capacity	100AH
	Series X Parallel Maximum	2S X 4P
	Circuit Protection	Over charge Over discharge Over current Over temp. Short, Balance
	Cycle Life	≥ 4000 cycles at 0.5C 80% DOD
	Monthly Self Discharge	Less than 2%
	Efficiency of Charge	100% @ 0.5C (when used with proper LiFePO4 charger)
Charge	Efficiency of Discharge	96 ~ 99% @ 1C
	Charge Voltage	29 ± 0.2V
	Standard Charge Current	50A
Discharge	Max. Charge Current	100A
	Std. Discharge Current	50A
	Max. Continuous Current	100A
Environmental	Discharge Cut-off Voltage	21.6V
	Charge Temperature	0° C to 45° C
	Discharge Temperature	-20° C to 60° C
Mechanical	Storage Temperature	-20° C to 45° C
	Cell Material	LiFePO4
	Case / IP Class	Plastic / IP65
	Dimensions (mm)	L522*W240*H218
	Approx. Weight (kg)	22.60
Optional	Terminal Type	M8
	Extended Functions	Bluetooth, LCD screen

*Warranty: 3years