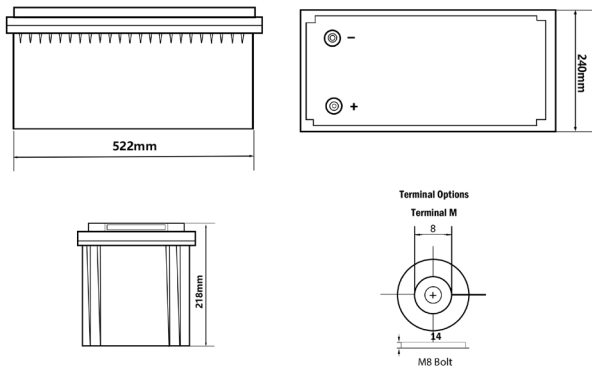


VLFP200-12.8 12.8V200AH

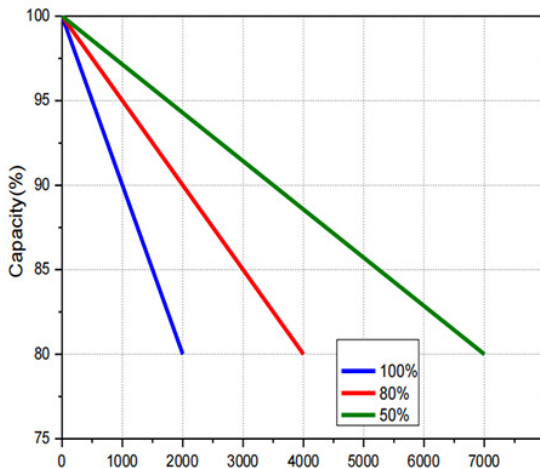
■ Specifications



■ Physical Dimensions



■ Discharge Characteristics



Electrical Characteristics	Nominal Voltage	12.8V
	Rated Capacity	200AH
	Series X Parallel Maximum	4S X 4P
	Circuit Protection	Over charge Over discharge Over current Over temp. Short, Balance
	Cycle Life	≥ 4000 cycles at 0.5C 80% DOD
	Monthly Self Discharge	Less than 2%
	Efficiency of Charge	100% @ 0.5C (when used with proper LiFePO4 charger)
Efficiency of Discharge	96 ~ 99% @ 1C	
Charge	Charge Voltage	14.4 ± 0.2V
	Standard Charge Current	100A
	Max. Charge Current	200A
Discharge	Std. Discharge Current	100A
	Max. Continuous Current	200A
	Discharge Cut-off Voltage	10.8V
Environmental	Charge Temperature	0° C to 45° C
	Discharge Temperature	-20° C to 60° C
	Storage Temperature	-20° C to 45° C
Mechanical	Cell Material	LiFePO4
	Case / IP Class	Plastic / IP65
	Dimensions (mm)	L522*W240*H218
	Approx. Weight (kg)	22.60
	Terminal Type	M8
Optional	Extended Functions	Bluetooth, LCD screen

*Warranty: 3years